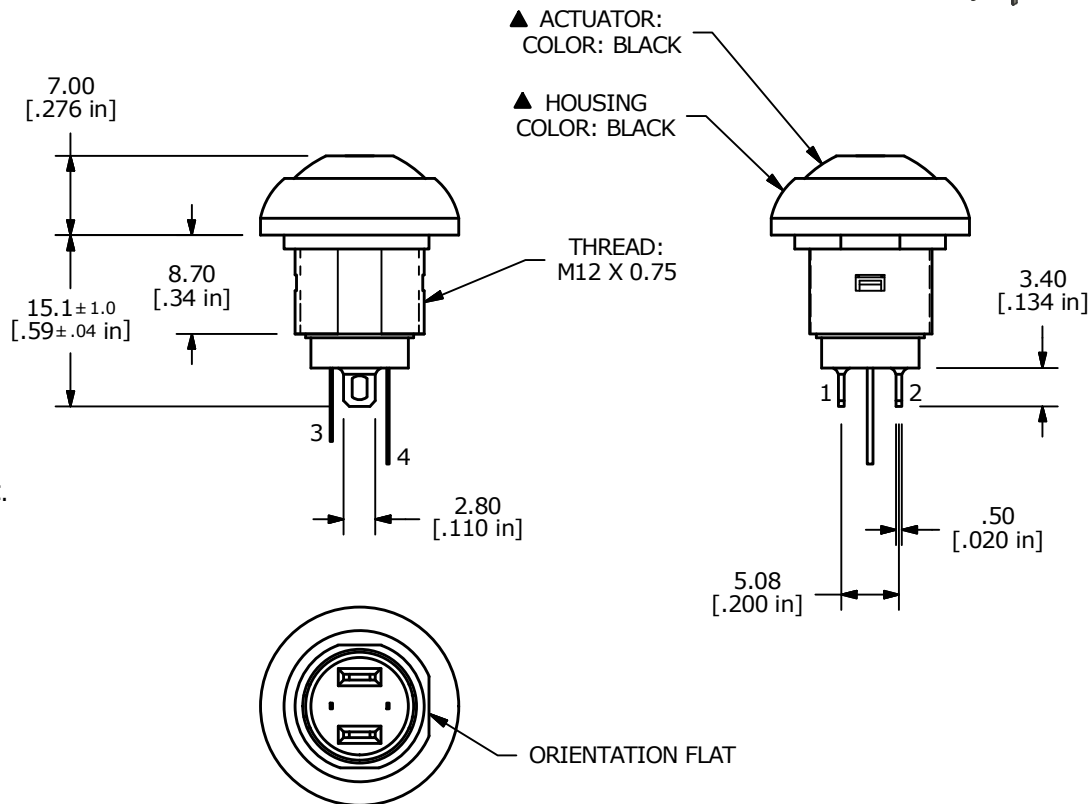


LED PARAMETER	FORWARD CURRENT	FORWARD VOLTAGE @ 20mA	LUMINOUS INTENSITY
UNITS	mA	V	mcd
BLUE	20	3.1 - 3.6	580

NOTE:

- ALL DIMENSIONS IN MM [INCH]
- GENERAL TOLERANCE: X.X=±0.4
X.XX=±0.25
- TERMINAL NUMBERS FOR REF ONLY
- CIRCUIT: SPST OFF-MOMENTARY ON
- CONTACT MATERIAL: Gold OVER SILVER
- RATING: 500mA @ 48 VAC
200mA @ 50 VDC
200mA @ 250 VAC
- ELECTRIC LIFE: 500,000 CYCLES AT FULL LOAD
- CONTACT RESISTANCE: 50 MILLIOHM MAX. (INITIAL)
- INSULATION RESISTANCE: 1,000 MEGA-OHM MIN. @ 500VDC.
- DIELECTRIC STRENGTH: 1,500 VAC FOR 1 MINUTE.
- OPERATING FORCE: 350 gf +/- 150 gf
- OPERATING TEMPERATURE: -30°C TO +85°C.
- CONTACT BOUNCE: 10ms MAX.
- TRAVEL: 1.5±0.25mm
- PANEL THICKNESS RANGE: 1.5 - 4.0 mm.
- ▲ DENOTES CRITICAL PARAMETER.
- 2011/65/EU (ROHS) COMPLIANT
- MAX TORQUE APPLIED TO MOUNTING NUT: 1.5Nm
- HARDWARE INCLUDED:
 - T081101 LOCK WASHER (1)
 - T081102 HEX NUT (1)
 - T081103 O-RING (1)
- SEAL RATING: IP67 AT THE FRONT PANEL



REV	PCR NO	DESCRIPTION	DATE	BY
F	23469	correct function to Momentary	7/20/18	MW
E	22473	UPDATED LED SPECIFICATION CHART	8/30/16	MJR
D	21599	CHANGE SEAL RATING FROM IP65 TO IP67	10/1/14	EBP

TITLE RP8300B2M1CEBLKBLKBLU				
SCALE	DATE	DR	DWG	REV
3:2	8/16/2010	rc	ST083003	F

THE INFORMATION CONTAINED IN THIS DOCUMENT IS PROPRIETARY TO E-SWITCH AND IS NOT TO BE COPIED OR TRANSFERRED